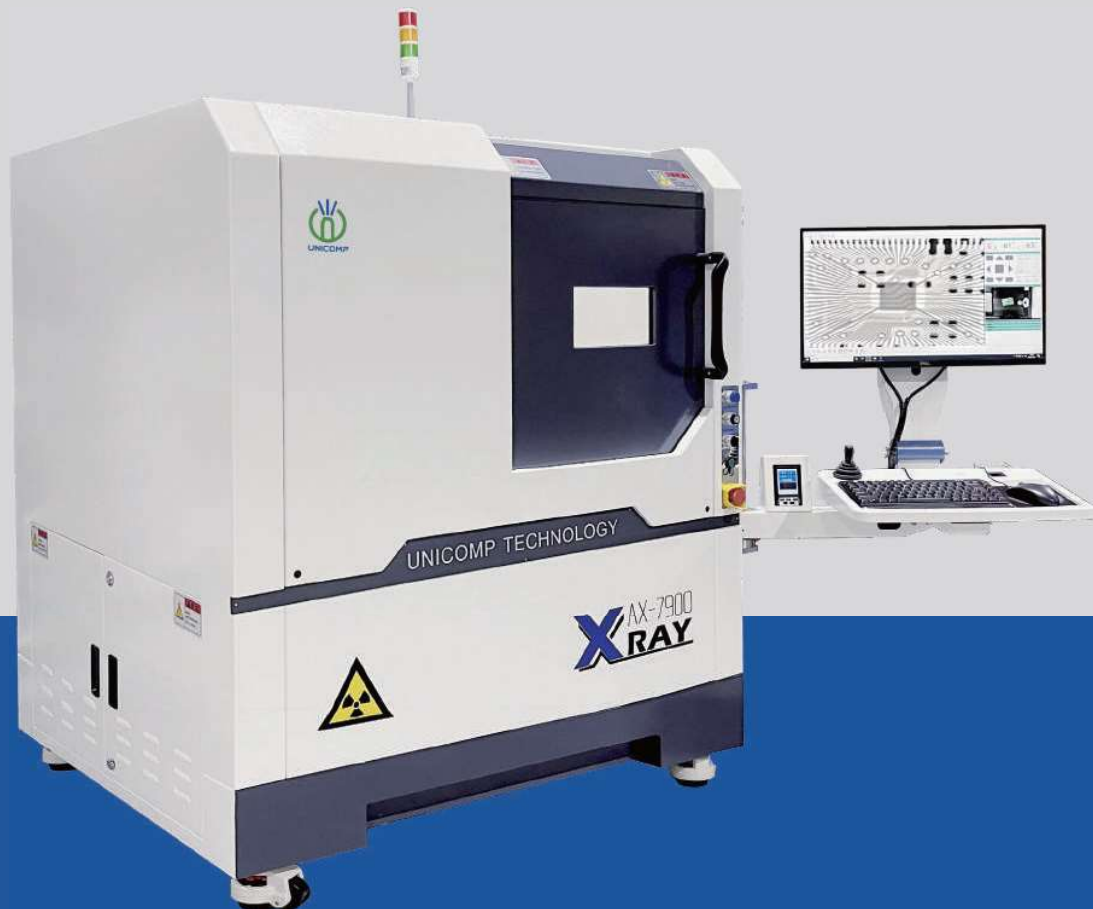




Industria CT & X-Ray Inspection
Solutions Provider

AX7900

X-Ray Inspection Equipment



www.global-xray.com
www.unicomp.cn

AX7900



Widely applied for BGA, CSP, Flip Chip, LED, Fuse, Diode, PCB, Semiconductor, Battery Industry, Small Metal Casting, Electronic Connector Module, Cables, Aerospace Components, Photovoltaic Industry, etc.

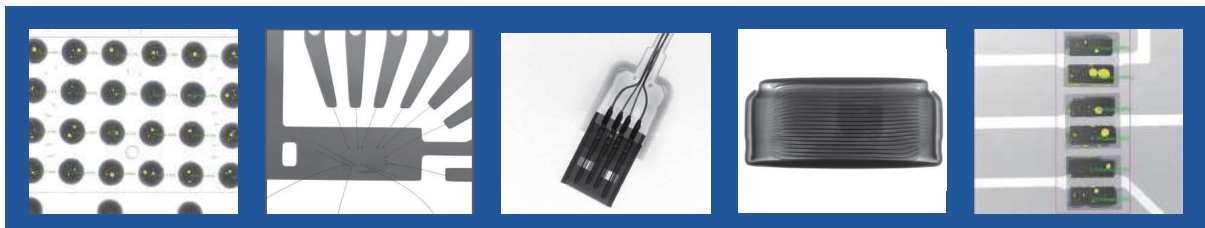
Application Fields



Functions and Features



Inspection Images



Technical Parameters and Specifications

System Summary

| | | | |
|----------------|---------------------------|----------------------|---------------------------|
| Footprint | 1280(W)×1220(D)×1615(H)mm | Plywood Packing Size | 1800(W)×1400(D)×1800(H)mm |
| Machine Weight | 1100 kg | Packing Weight | 1250 kg |
| Power Supply | AC 110/220V, 50/60Hz | Power Consumption | 1.0 kW |

X-Ray Tube

| | | | |
|-----------|---------------------|-----------------|-----|
| Tube Type | Sealed | Max. Power | 8W |
| Voltage | 0~90kV (Adjustable) | Focus Spot Size | 5μm |

Imaging Detector

| | | | |
|--------------------------|---------------------------|----------------------|---------|
| Detector | Flat Panel Detector (FPD) | Pixel Size | 84μm |
| Effective Detection Area | 129*129mm | Frame Rates | Max30Hz |
| Pixel Matrix | 1536*1536[pixel] | System Magnification | 600X |

Software

| | |
|--------------------------|--|
| Auto-measuring | BGA Soldering Voids Auto-measuring and Support Data/Graphic Output |
| Multiple Measuring Tools | Support Measuring Distance, Angle, Diameter, Polygon, PTH filling rate, etc. |
| CNC Mode | CNC Programmable Inspection, Easy Operation and User Friendly |
| Real-time Display | Real-time Displaying the Working Data of Voltage, Current, Angle, Date, etc. |
| Navigation | Convenient Target Point Positioning System |

Motion Control System

| | |
|--------------------------|---------------------------------|
| Movement Control | Joystick, Keypad & Mouse |
| Max. Loading Area/Weight | 520*420mm |
| Max. Inspection Area | 460*400mm |
| Tilting Angle | ±25° |
| Manipulator | 5-axis with X / Y / Z1 / Z2 / T |

Industrial PC

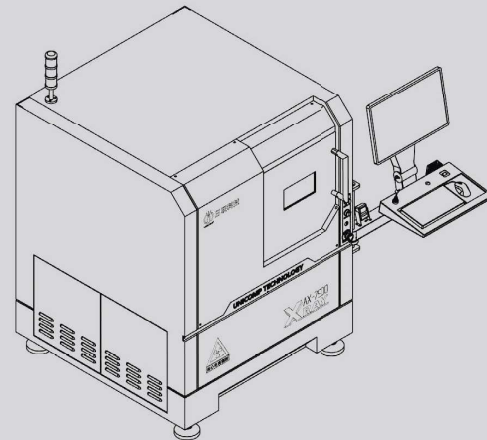
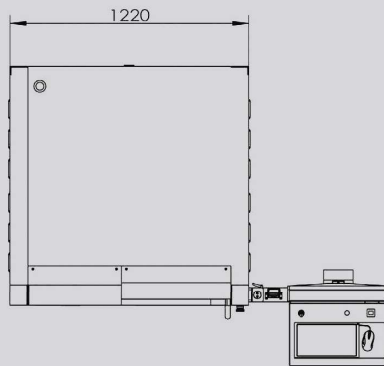
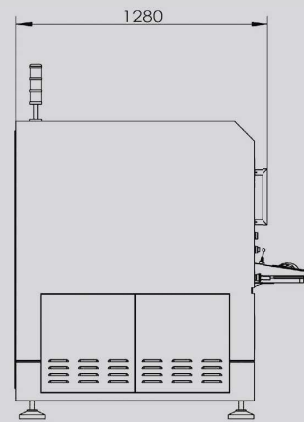
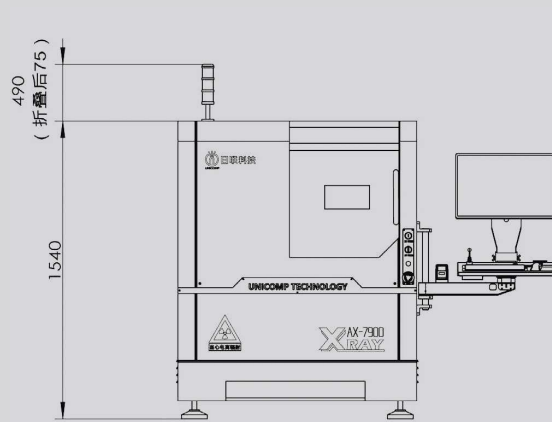
| | |
|-----------|---------------------|
| Monitor | 24" FHD LCD Display |
| System OS | Windows 10 64bit |
| Hard disk | 1TB |
| RAM | 16GB |
| CPU model | Intel i7 Processor |

Other Features

| | | | |
|----------------------|--|------------------|--|
| Energy Saving | X-Ray Auto-off when it's out of work over than 5 minutes | X-Ray Safety | <1μSv/h (Meets All International Standards) |
| Authority Management | Fingerprin Access Management System, an Suppor Password Accessing. | Safety Operation | Electromagnetic Interlock, Warning Light and Real-time Radiation Leakage Monitor |

* Specifications are subject to change without notice, All trademarks are the property of the system maker.

Dimensions and Appearance



UNICOMP TECHNOLOGY CORPORATE:

Wuxi Unicomp Technology Co., Ltd (HQ)

No. 11, Lijiang Road, Xinwu District, Wuxi City, Jiangsu Province, P.R.C. Zip Code: 214112 TEL: +86-510-68506688 FAX: +86-510-81816018

Shenzhen Unicomp Technology Co., Ltd

Building 2A, Baoxin Technology Park, Guangyuan 5th Road, Guangming District, Shenzhen, Guangdong Province P.R.C. Zip: 518107
TEL: +86-755-26650316 FAX: +86-755-26650296

Chongqing Unicomp Technology Co., Ltd

1st Building, No.23 Fushun Blvd, Biquan Street, Bishan District, Chongqing, P.R.C.
Zip Code: 402760
TEL: +86-23-63226131 FAX: +86-23-63228366

Europe Unicomp Technology Kft.

1122 Budapest, Maros utca 12, Hungary

RAY TECH (MALAYSIA) SDN.BHD.

No.2. Jalan SILC 4/1, Kawasan Perindustrian SILC, 79200, Iskandar Puteri, Johor, Malaysia.